

Version	2.0	Date	5/27/22
---------	-----	------	---------

Prepared By	
-------------	--

PRODUCT SPECIFICATION

Category	Cut Off Wall Pack
Item Number	9443
Stock Code	LED-FXCWP80/40K/BZ
Mounting	Wall Mount
Housing Color	Bronze



ELECTRICAL CHARACTERISTICS

Rated Wattage (W)	83	Replacement Wattage (W)	400-575
Tested Wattage (W)	83		
Input Voltage (V)	120-277V	Surge Protect Level	6KV
Voltage Frequency (Hz)	50/60	Dimmable	0-10V
Input Current (A)	0.69	AUX (12V) Line	Yes
Power Factor	>0.9	Photocell	Included
THD	<20%		

PHOTOMETRIC CHARACTERISTICS

Lumen (lm)	11,048	CCT (K)	4000K
Efficacy (lm/w)	133	Beam Angle (°)	Cut-Off
CRI	>70		

GENERAL CHARACTERISTICS

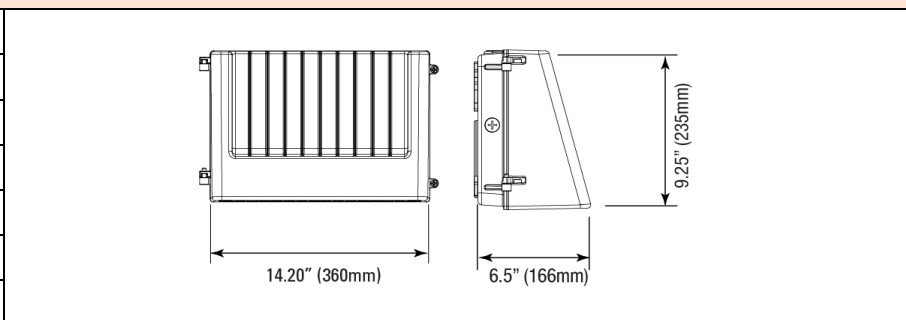
Operating Temperature (°F)	-40°F ~ 122°F
Storage Temperature (°F)	-40°F ~ 176°F
IP Rating	IP65
Rated Life (Hrs)	50,000
Warranty (Yrs)	5

ACCESSORIES

Item #	Stock Code	Description
P10540	SEN-ANT-11-WH	Microwave Sensor 0-10V, need P10380
P10316	SEN-BRI-RC100	Remote Programmer for P10540

PRODUCT DIMENSIONS

Width- in / (mm)	14.20" / 360
Height- in / (mm)	9.25" / 235
Depth- in / (mm)	6.50" / 166
EPA (ft²)	-
Weight (lbs)	7.48
Mounting Height (ft)	15~25
Cable Length (ft)	-



CERTIFICATIONS

UL/ETL	UL/cUL	CEC	
NSF/ETL Sanitation		JA8	
Energy Star		FCC	✓
DLC	5.1 Premium	RoHs	✓

DOCUMENTS

LM79	✓	IES File	✓
LM80	✓	Dimmer List	

COMMENTS

--